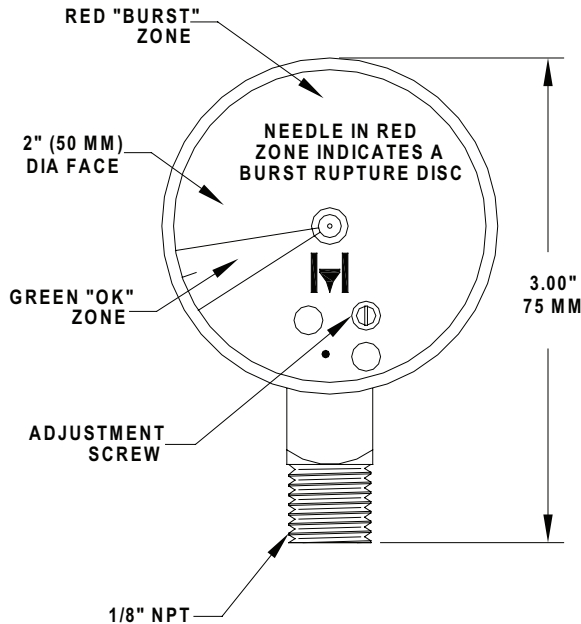


PRESSURE GAUGES

These special gauges are designed specifically for use with Hansen rupture disc assemblies.

The 2" (50 mm) diameter face has an easy-to-read "OK/burst" display. The green "OK" range is from 0 to 15 psig (0 to 1 bar). When normal pressure is less than 15 psig, the "Tell Tale" indicates the occurrence of pressure, especially useful on vacuum side of refrigeration systems.

The ambient temperature range for these gauges is +32°F to +125°F (0°C to +52°C) and they have a safe working pressure of 400 psig (28 bar). Contact Hansen for applications below +32°F (0°C) ambient temperature.



ORDERING INFORMATION

To Order: Specify catalog number, pressure setting, and pressure gauge (HG25) or switch (HPS). A pressure gauge or switch is required by code.

RUPTURE DISCS AND ACCESSORIES

CAT NO	CONNECTION SIZE	PRESSURE SETTING (PSIG)
RDA1	1/2" MPT x 1/2" MPT	150, 250, 300, 350 & 400
RDA2	3/4" MPT x 3/4" MPT	150, 250, 300, 350 & 400
RDA4A	1" MPT x 1" FPT	150, 250, 300 & 350
RDA5A	1-1/4" MPT x 1-1/4" FPT	150, 250, 300 & 350
ACCESSORIES		
HPS	Pressure Switch, 1/8" NPT	
HG25	Pressure Gauge, 1/8" NPT	

Use a rupture disc assembly with the same or lower pressure setting as the pressure-relief valve.

WARRANTY

Rupture disc assemblies, pressure switches, and gauges are guaranteed for one year F.O.B. our plant. No consequential damages or field labor is included.

IMPORTANT SAFETY WARNING

Hansen Technologies Corporation does not guarantee rupture disc life. It is critical that rupture discs be routinely monitored to determine that no refrigerant has leaked beyond the disc. Slow leakage of refrigerant beyond the rupture disc creates a differential pressure that can double the bursting point of the rupture disc and subject the pressure vessel to elevated pressures. This creates a hazardous condition and in the extreme case could result in loss of human life.

HANSEN

Hansen Technologies Corporation
 400 Quadrangle Drive, Ste F
 Bolingbrook, Illinois 60440 USA
 Tel: 630.325.1565 Fax: 630.325.1572 Toll: 866.4HANSEN
 Email: sales@hantech.com Web: www.hantech.com
USA · Asia · Europe · India · Latin America · Middle East
 © 2011 Hansen Technologies Corporation